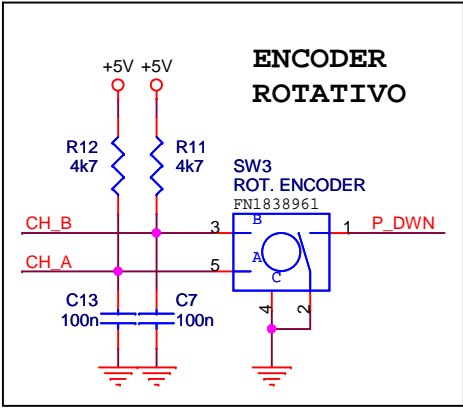
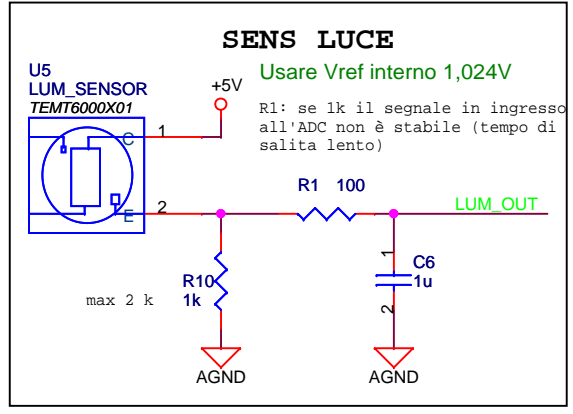
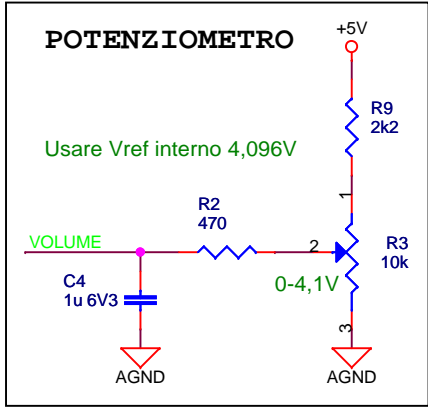
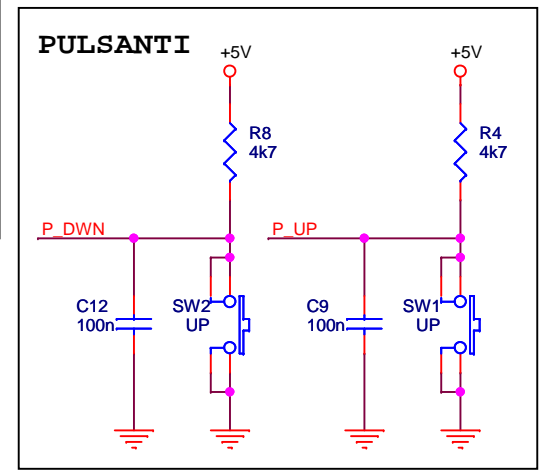
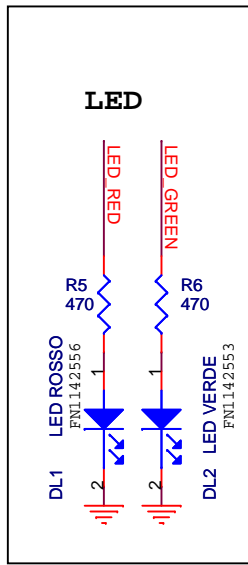
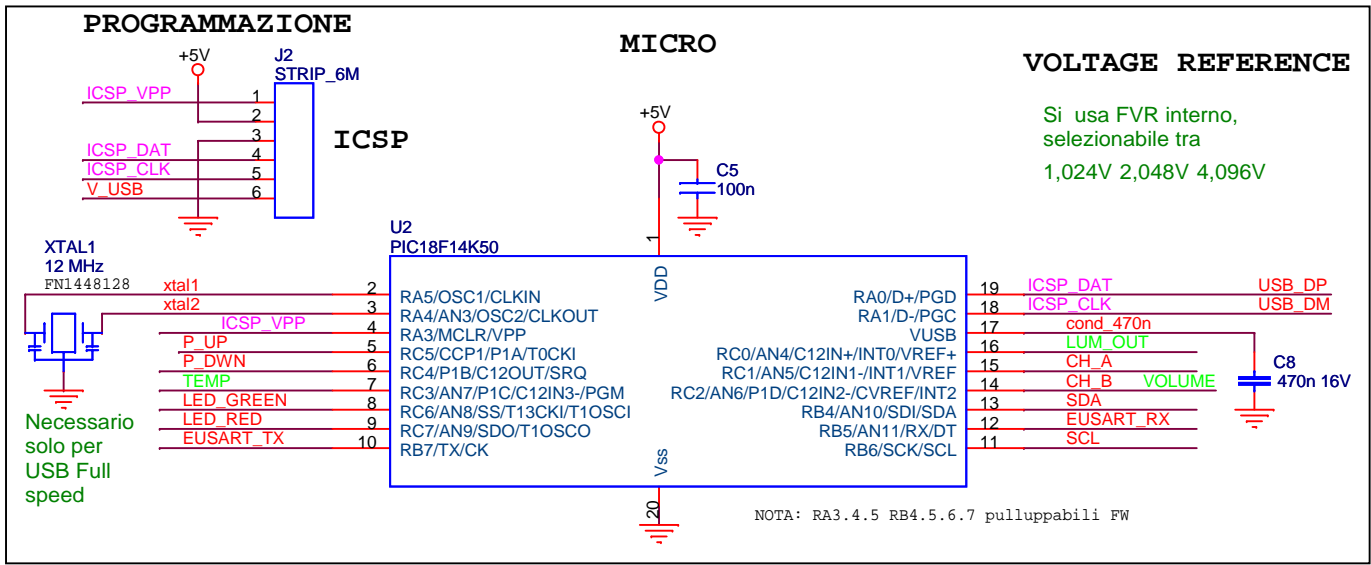
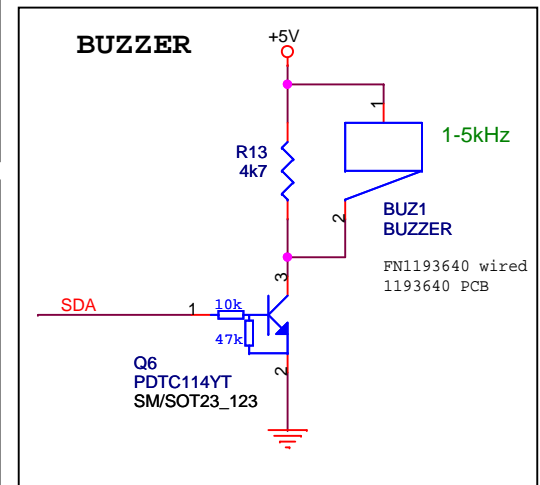
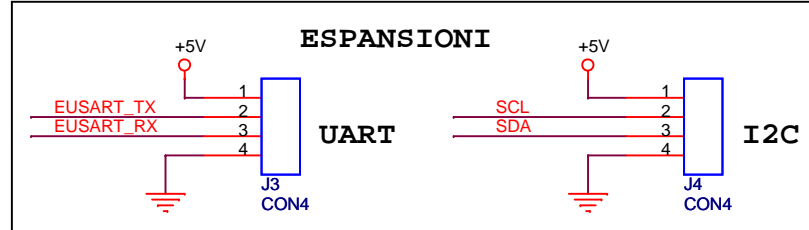


Pullup 1k5 su D+ o D- interno al PIC -> USB hi/low speed



1: PSE2012 DEMO BOARD Revised: Thursday, May 10, 2012

2: Michele Corrà Revision: 1.0

3:  
4:  
5:  
6:  
7:  
8:  
9:

10: Bill Of Materials May 10,2012 16:07:42 Page1

11:

12: Item Quantity Reference Part

13: \_\_\_\_\_

14:

15: 1	1	BUZ1	BUZZER	
16: 2	7	C1,C5,C7,C9,C10,C12,C13		100n
17: 3	1	C2	10u 10V	
18: 4	2	C4,C11	1u 6V3	
19: 5	1	C6	1u	
20: 6	1	C8	470n 16V	
21: 7	1	DL1	LED ROSSO	
22: 8	1	DL2	LED VERDE	
23: 9	1	JPS1	JPSC	
24: 10	1	J1	USB	
25: 11	1	J2	STRIP_6M	
26: 12	2	J3,J4	CON4	
27: 13	1	J5	MINI_USB	
28: 14	1	L1	200mA 120Ohm	
29: 15	1	Q6	PDTC114YT	
30: 16	1	R1	100	
31: 17	4	R2,R5,R6,R7	470	
32: 18	1	R3	10k	
33: 19	5	R4,R8,R11,R12,R13	4k7	
34: 20	1	R9	2k2	
35: 21	1	R10	1k	
36: 22	2	SW1,SW2	UP	
37: 23	1	SW3	ROT. ENCODER	
38: 24	1	TP1	GND	
39: 25	1	TP2	+5V	
40: 26	1	TP3	LUM	
41: 27	1	TP4	VOL	
42: 28	1	TP5	TEMP	
43: 29	2	U2,U4	PIC18F14K50	
44: 30	1	U3	MCP9700A	
45: 31	1	U5	LUM_SENSOR	
46: 32	1	XTAL1	12 MHz	
47:				